

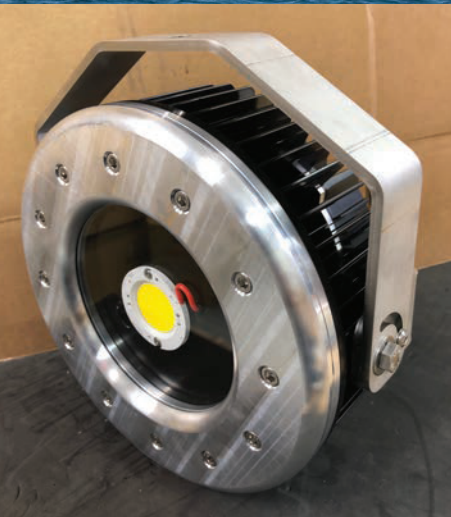


Heavy duty and 100% water-proof manufacturing which allows to use all the power of the LED for A PROFESSIONAL ON-DECK LIGHTING.

Provides better working visibility, increasing the safety on board.

REPARABLE. PARTS AVAILABLE IF NEEDED.

Ideal for fishing boats, liners, war ships, tankers, cruise ships and docks.



General Informations

Luminaire characteristics: Nominal at 25°C
Power input: 150W
Lumens: 25 500 lm
Luminaire efficiency: 170 lm/W

Source: Bridgelux® COB tech
 5000K: 70 IRC (LM-80 tested).

Lumen maintenance: The Calculated L70 lumen maintenance of 250 000 hours is based on TM-21 lifetime calculation with >70% of initial lumens. This Calculated L70 lifetime is for the Vero products at a MAX. temperature of 85°C and nominal drive current operating condition. (LM-79 tested)

Optics: Standard 120° lighting. 30°, 60° or 90° available.

Body: Luminaire made of aluminium and support made of stainless steel.

Electrical: High efficiency electronic 120V-240vAC power supply. MTBF of 175 000 hrs at full load and 25°C ambient.
Consummation: 1,7 A @ 120 volts AC / 0,85 A @ 240 volts.

Operating temperature: -40°C to 90°C.

Dimming: Compatible with 0-10V dimming (optional).

Mounting: Supplied with hanging bracket.

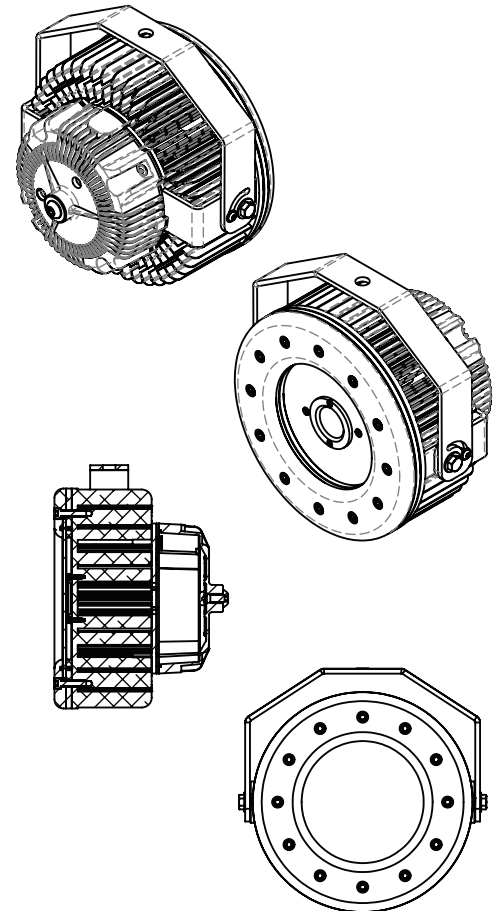
Finish: Black and silver.

Weight: 14 lbs (6,35 kg)

Warranty: 5 years *. Certain conditions apply.

Certification: CSA Approved.

Ratings: IP68 protected for complete continuous water submersion.



Accessories soon available

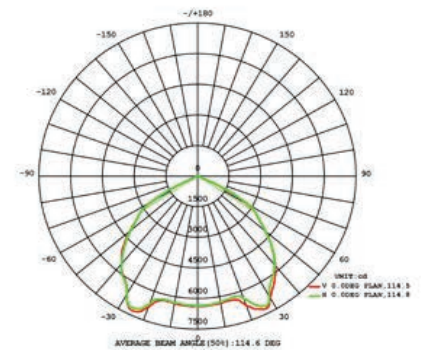


Because of the standard 120° beam angle, you get better lighting uniformity and greater deck coverage per unit.



Lens of 30°,
60° or 90°
available
in option.

120° :



Height	Eavg, Emax	Angle: 114.47deg	Diameter
1m	1966, 6383lx		310.75cm
2m	491.5, 1596lx		621.50cm
3m	218.4, 709.3lx		932.25cm
4m	122.9, 399.0lx		1243.00cm
5m	78.63, 255.3lx		1553.75cm
6m	54.61, 177.3lx		1864.50cm
7m	40.12, 130.3lx		2175.25cm
8m	30.72, 99.7lx		2486.00cm
9m	24.27, 78.8lx		2796.75cm
10m	19.66, 63.8lx		3107.50cm

